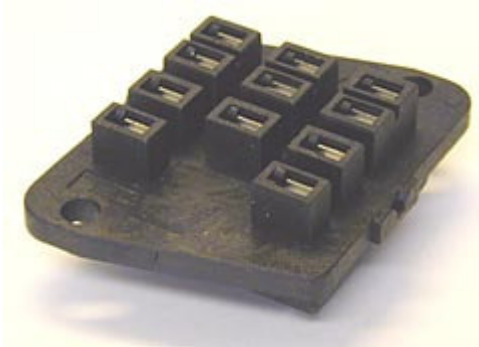




SOCKETS

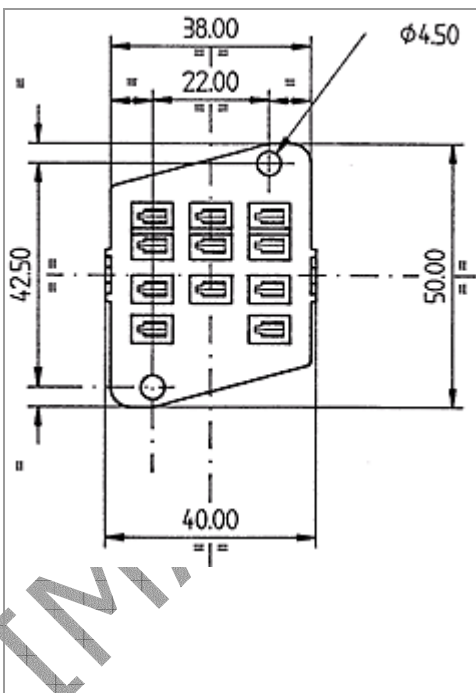
PAR racc. CI pour série 1200



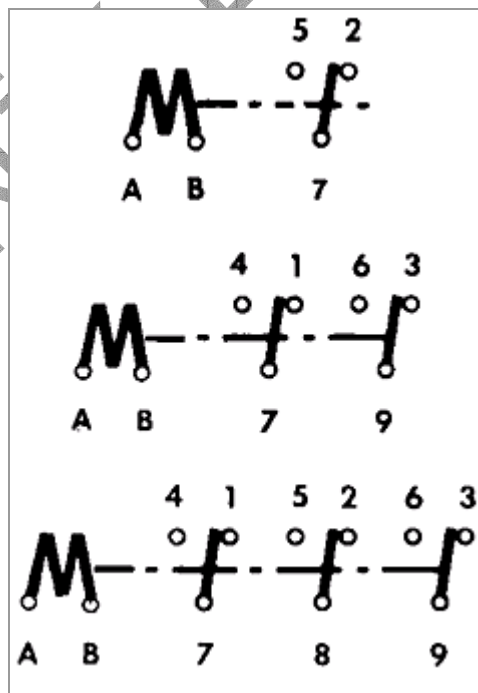
TEC

rear wiring socket / PCB
mounting 9274

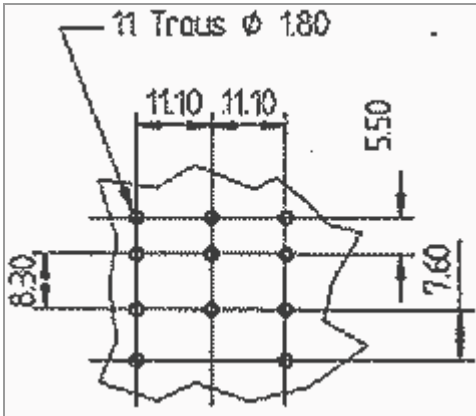
Dimensions



Connection



ASSEMBLY ▾



TECHNICAL FEATURES ▾

- * TEC numbering
- * Connection : on PCB

VERSIONS ▾

9274 socket is a rear wiring socket for PCB mounting for relay 1275.

 **İmaj Teknik Elektrik Elektronik San. ve Tic. Ltd. Şti.**
EMEKYEMEZ MAH.TUTSAK SOK. NO: 16/13-14-15
KARAKOY/İSTANBUL
TURKEY

Telefon : +90 212 235 9535 / 36 www.imajteknik.com
Fax : +90 212 235 9537 www.imajteknik.com.tr